



Revo Job is the new Sistem Air vacuum unit designed for intensive use in tertiary and professional areas. The main features of this product are simplicity, reliability and a great vacuum power.

INSTALLATION AREA

Revo Job vacuum unit can be used for dust vacuum in buildings with the follow features:

- Surfaces up to 2000 m²
- Suitable for 3 users
- Pipe network according to the number of users
- 400 V three-phase supply
- Continuous use
- External air exhaust

REVO Job SELECTION TABLE

Model	ARTICLE	Motor power kW	Speed electronic converter	Max. number of users
REVO Job 3	3201.2J	3	NO	2
REVO Job 4	3201.6J	4	YES	3



PROFESSIONAL

SYNTHETIC CHARACTERISTICS



Vibrating filter cleaning system



CE marking



Energy saving vacuum unit



IP protection degree



Soft Start device



Isolation class 1



Max number of users 3

REVO JOB

■ MAIN FEATURES OF THE PRODUCT

1 - Guaranteed reliability

The selection of **highly reliable components and precision assembly make the REVO Job** vacuum unit extremely strong. Electronics have been restricted to the essential functions of control and energy consumption optimisation, so as to further increase its stability during working.

For these reasons Revo Job is the vacuum unit suitable to be used in all those conditions close to professional sector, when the vacuum unit is particularly stressed by:

- Prolonged working hours
- Different dust categories to vacuum
- Complex pipe networks

Their reliability is certificated in a tangible way by the special warranty that Sistem Air supply with all REVO Job vacuum units, that is **T-Warranty, a 6 years free replacement total warranty** for components damaged during working (excluding wear parts). This choice confirms the excellent performance of the product, but also the mission of Sistem Air always to be close to its customers, even after installation. For more information on T-Warranty please visit the web site **sistemair.com**



2 - Energy saving

REVO Job vacuum units have **new conception blowing motors** that achieve good vacuum power combined with optimized energy consumption.

This gives a good balance between capacity and depression at all motor speeds: in this way it is always possible to obtain the best vacuum performance, with the lowest power consumption in all possible applications.



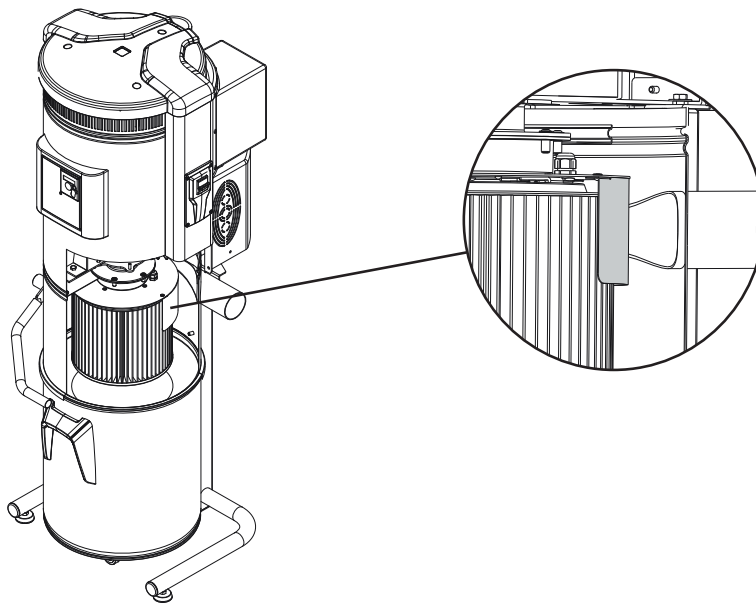
In particular, the 4 kW model has a **speed electronic converter** (inverter) that adapts the vacuum performance to the current number of required users, avoiding energy waste and balancing any potential installation problems.



3 - Professional filtering

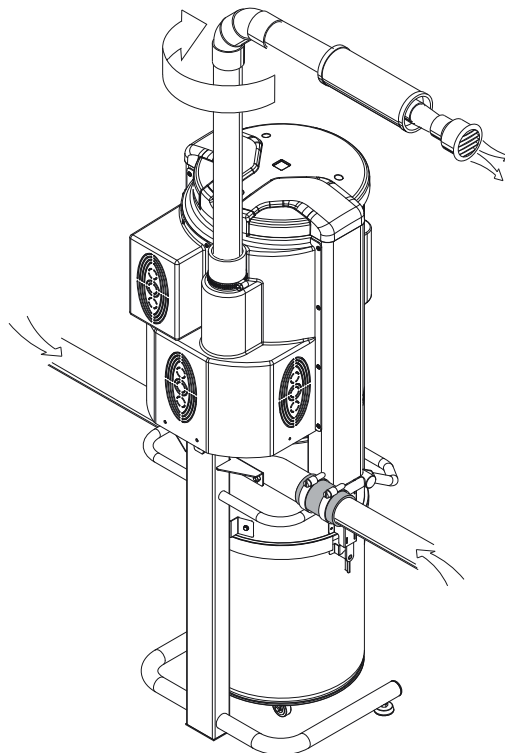
The filtering system on REVO Block vacuum units has two main elements:

- Water washable Polyester filter cartridge, with a **large filtering surface** that allows a higher level of efficiency
- **Metallic protection on dust inlet** that prevents sharp or incandescent materials getting onto the filter surface and damaging it.



4 - Reversible inlet connection

It is possible to connect the unit to the pipe network from the **left or from the right**, without adaptation, accelerating installation and maintenance.



REVO JOB

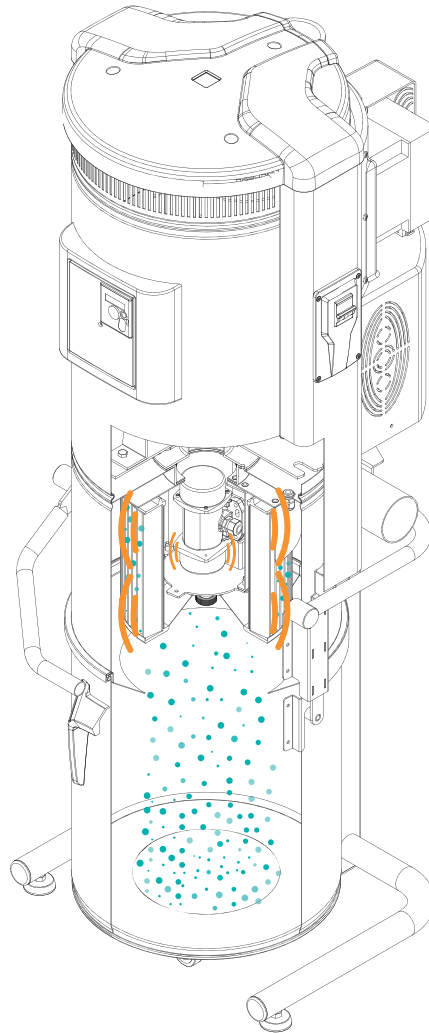
5 - Automatic filter cleaning system

A standard, **vibrating automatic filter cleaning system**, is installed in REVO Block vacuum units.

This device doesn't need programming. When the vacuum stops, a specific electric motor with vibrator automatically shakes the support of the filter: vibrations reach the filter surface causing the detachment of collected dust, which falls into the dust container.

With this system, the efficiency of the filter is restored after each use of the vacuum cleaner, dramatically reducing the maintenance of the unit.

N.B. Vacuum has priority on automatic cleaning: if the vacuum unit starts while the vibrating motor is working, this will stop immediately, in order to allow the correct working of the vacuum unit.

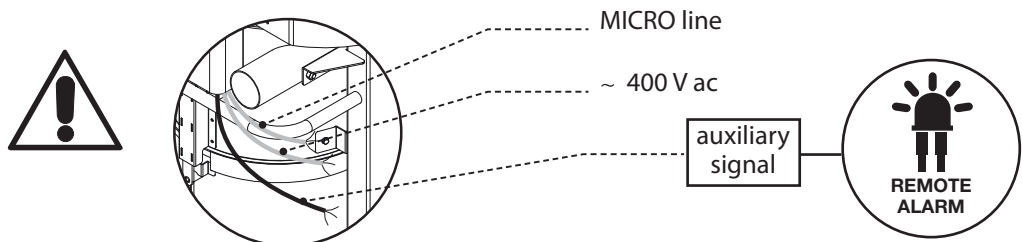


6 -Auxiliary alarm

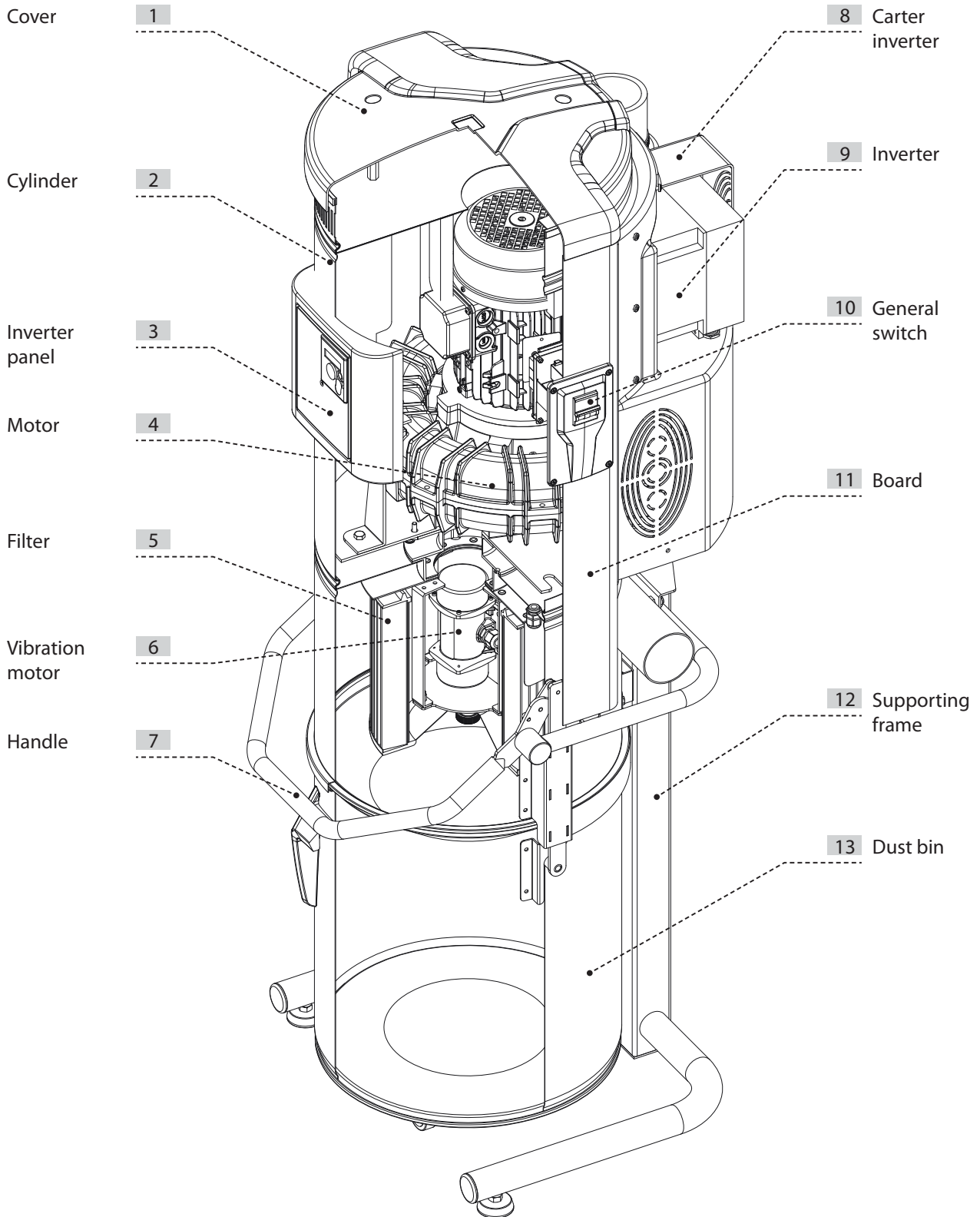
On REVO Job 4 model (with inverter) it is possible to connect an **auxiliary remote alarm** (not supplied).

Every time that an alarm occurs on the inverter, the alarm circuit closes, activating the alarm.

N.B. To verify the model of supported alarms, you can refer to the instruction manual supplied with the vacuum unit.



REVO Job vacuum unit section

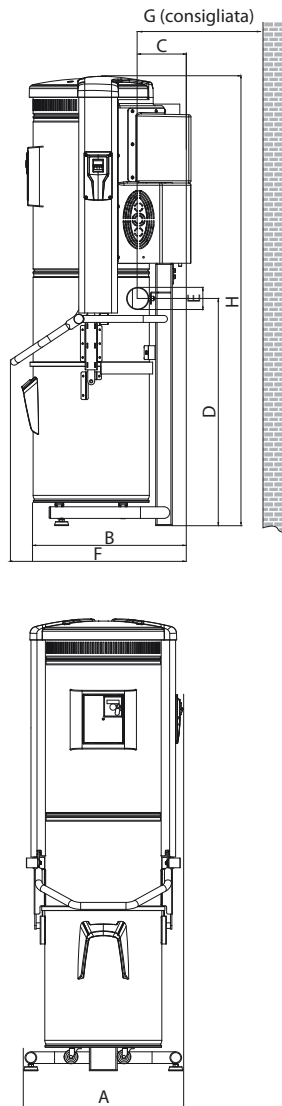


REVO JOB

Measurements and technical data

REVO Job vacuum units can be used for professional uses in large houses, small hotels, offices, laboratories, sports centres and beauty salons, because they have a great vacuum power with a minimum size.

The model can be chosen according to the number of users required (max 3), the need to vary the vacuum power and surfaces to be cleaned.



REVO Job		REVO Job 3	REVO Job 4
Model Article		3201.2J	3201.6J
Vacuum inlet	Ø mm	80	80
Air discharge	Ø mm	80	80
IP protection degree	IP	20	20
Supply	V ac	400	400
Frequency	Hz	50/60	50/60
Motor power	kW	3	4
Absorption	A	6,3	8,1
Vacuum inlets supply	V dc	12	12
Speed electronic converter		NO	YES
Maximum air flow	m³/h	414	570
Filtering surface	cm²	17000	17000
Filter cleaning system		YES	YES
Dust bin capacity	l	70	70
Air discharge		YES	YES
Air discharge silencer		YES	YES
Weight	kg	100	105
Measurements A	mm	570	570
Measurements B	mm	560	560
Measurements C	mm	178	178
Measurements D	mm	821	821
Measurements E	mm	80	80
Measurements F	mm	630	630
Measurements G	mm	500	500
Measurements H	mm	1625	1625
Noise	dB(A)	60=80	

N. B.: Nominal noise values. Values may vary according to environment and manner in which the unit is installed.

APPROVALS

 CE marking

 IP 20 IP protection degree

 Electrical insulation CLASS I

REVO Job line

Device in compliance with the following standards:

EC DIRECTIVES:

- 2006/42/CE
- 2006/95/CE
- 2004/108/CE

APPLIED HARMONISED STANDARDS .

- EN 60335-1 : 2012
- EN 60335-2-2 : 2010
- EN 61000-3-2 : 2006 + A2 : 2009

- EN 61000-3-3 : 2008
- EN 55014-1 : 2006 + A1 : 2009
- EN 55014-2 : 1997 + A2 : 2008
- EN 62233 : 2008

ROHS DIRECTIVE 2002/95

COMPLIANCE TO REACH DIRECTIVES.

N.B.: installation must be carried out in strict compliance with current regulations.

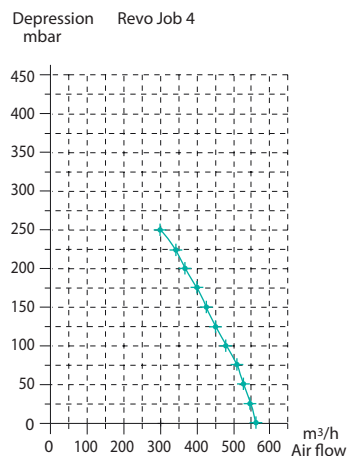
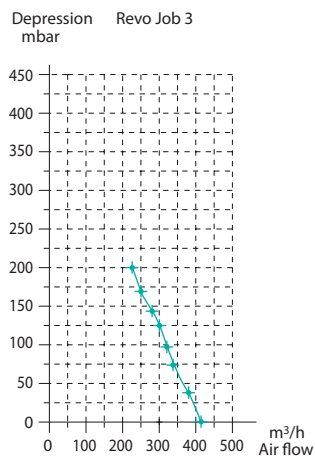
TECHNICAL FEATURES

REVO Job vacuum units are designed and produced in conformity with all current regulations and European directives, whilst taking into account functionality, power and capacity.

Main technical characteristics can be listed as follows:

- Metal cylindrical frame painted with epoxy powder
- Metal dust bin container with wheels (capacity 70 litres)
- Bag with bag stretchers inside the dustbin, to dispose of dust quickly and hygienically.
- Possible connection to the piping from the right or from the left side, independently of each other.
- Three-phase power supply.
- Side-channel motor-pump group with light alloy case, high-performance and maintenance-free; professional motor with CE marking, IP 55 protection degree, F IEC 2 class, with integrated silencer.
- Mechanical breaker valve
- Automatic adjustment of vacuum power (inverter)
- Class M polyester filter, water washable.
- Filter protection for a reduced maintenance.
- Automatic filter cleaning system with vibration
- Vacuum inlets supply: 12 V
- Optional auxiliary alarm for maintenance
- Complete with silencer and sleeves for pipe network connection
- Suitable for all Sistem Air cleaning accessories

Performance graphs



REVO JOB

Installation tips

REVO Job vacuum units are equipped with an air discharge connection, in order to expel dust particles that the filter cannot hold. They can be placed in technical rooms or utility rooms (such as garages, cellars, etc) protected from bad weather, humidity and temperature extremes.

Keep away from heat sources, such as stoves or radiators. (N.B. IP protection degree 20).

In the design stage, we recommend identification of the best location for the central unit with respect to the system, leaving a reasonable space for installation, use, maintenance and air exchange.

Its technical features allow the connection to the pipe network from the left or from the right.

If the system is installed in a building with several floors, we suggest placing the vacuum unit on the bottom floor.

INSTALLING THE CENTRAL UNIT

The vacuum unit does not require special anchoring. However, it is important to check that the area for installation has the following minimum requirements, in order to be correctly and securely positioned.

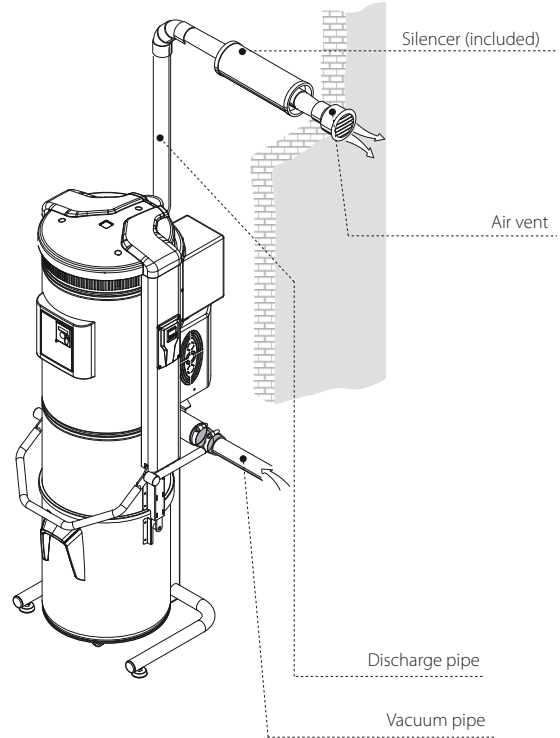
- a perfectly flat, horizontal and solid surface, without cracks.
- a vibration free surface

Furthermore it is essential that there are no disconnections such as to make the central unit instable.

PIPE CONNECTION

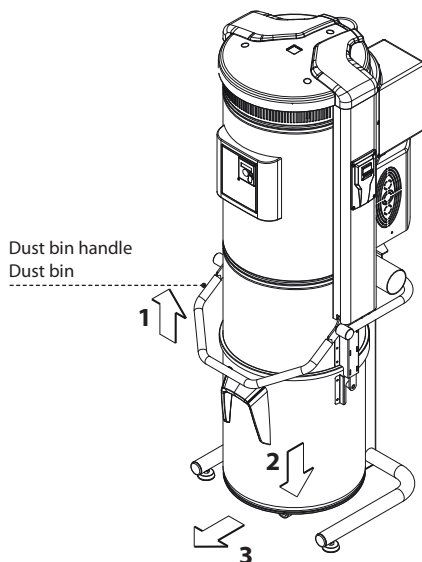
Connections to pipe network and to air expulsion can be made on the left or on the right side of the vacuum unit.

WARNING: if the discharge pipe is longer than 5 meters it is necessary to install a bigger diameter in order to reach the optimal conditions for air expulsion.



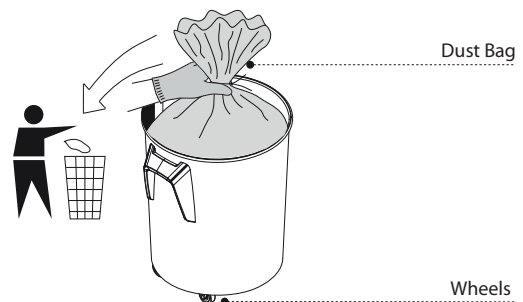
EASY BIN EMPTYING

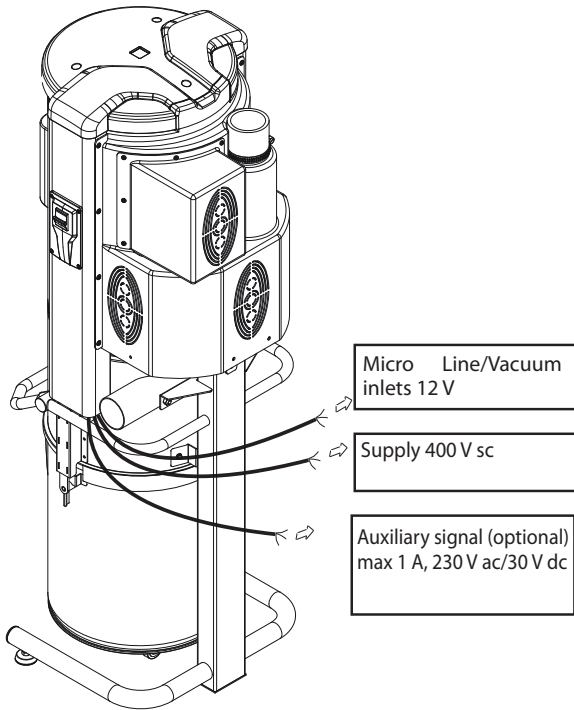
REVO Job vacuum unit has a metal dust container with an easy opening system and a comfortable handle.



DUST CONTAINER WITH WHEELS

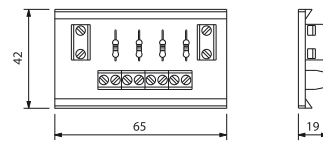
Thanks to its wheels, the dust container can be moved easily.





ARTICLE	DESCRIPTION	PACKAGING Pc
3301.4	4 entrance resistive divider	1

Resistive divider is indispensable to change the vacuum power of REVO Job 4 vacuum unit. Each resistive divider can receive up to four inlets, they can be connected each other without limits. For more details about connection see page. 129.



MAINTENANCE AND ASSISTANCE

Programmed routine maintenance of central vacuum units must be done according to the instructions in the technical manual and on the display. These routine maintenance cycles specifically concern filter cleaning, emptying of the dust-bin, bag substitution, checking that the electric motor is working correctly, possible air discharge and obstruction checking.

All extraordinary maintenance operations must be carried out by qualified, authorised staff.

For more details, technical information and assistance please visit our web site sistemair.com



Essential performance is the main virtue of this vacuum unit. These images describe its constructive strength and the quality of its components.

