

Pre-separators

Turbix

Area of use:
domestic
homes, b&b, shops



Pipe net Ø 50 mm - Turbix Small

Pipe net Ø 63 mm - Turbix Medium



Turbix are cyclonic pre-separators that are useful for **intercepting more than 98 percent of sucked dust and preserving the filter**, reducing maintenance cycles and maintaining the performance of the central vacuum cleaner.

Two sizes, Small and Medium, are available for domestic systems, allowing large amounts of even very fine dust to be vacuumed without worry.

Turbix pre-separators are to be installed only with conventional **central vacuum cleaners in the domestic line**.

The choice of which size of Turbix to use depends on the size of the pipe network.



Modelli disponibili

3400.10	Turbix Small	with pipe net ø 50 mm
3400.11	Turbix Medium	with pipe net ø 63 mm

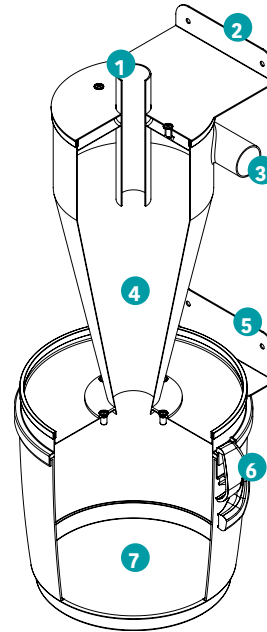


Separators do not have a motor and must be integrated with the system

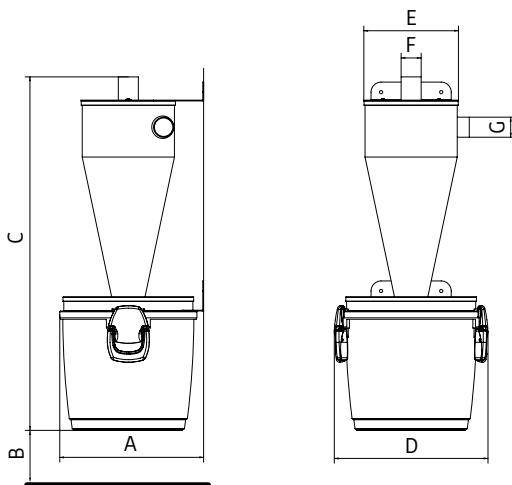
Measurement and section table

1. Powder outlet
2. Upper fixing flange
3. Powder inlet
4. Self-supporting cylindrical shell made of epoxy powder coated metal
5. Lower fixing flange
6. Dust collection container handle
7. Polypropylene dust collection container

Turbix includes sleeves for connection to the pipe network and fixing flanges.



Measurement and section table

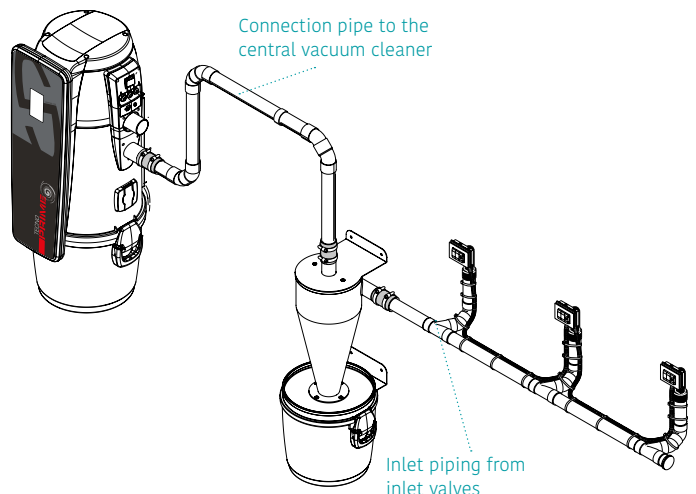


MODEL	Turbix Small	Turbix Medium
ARTICLE	3400.10	3400.11
Dust inlet	Ø 50 mm	Ø 63 mm
Powder container	21 l	40 l
Weight	kg 15	25
Measurement A	mm 360	436
Measurement B (min)	mm 100	100
Measurement C	mm 885	1105
Measurement D	mm 385	452
Measurement E	Ø mm 236	286
Measurement F	Ø mm 50	63
Measurement G	Ø mm 50	63

Connection to the pipe net

The correct location of Turbix involves connection to the pipe network before the central vacuum cleaner, so that dust arriving from inlet valves is intercepted before it can enter the central vacuum cleaner.

Turbix can be installed at any time, even in already built systems, and does not involve any electrical wiring.



The difference of vacuuming with and without Turbix

The shape of the cone imparts a cyclonic motion with increasing speed to the sucked dust. At the end of the cone, the air slows down and allows the dust to fall into the dust container of Turbix without fouling the filter of the central vacuum cleaner.

This is the difference in using Turbix for vacuuming all types of dust, even the finest dust that would deteriorate the filter cartridge and reduce suction efficiency.

The cyclone that protects the central vacuum

During this test, polystyrene beads, a lightweight material with a porous surface that, with its density, tends to obstruct the air passage, were aspirated.

It is evident how, without Turbix, the polystyrene clings to the filter surface (see images sect. A), reducing suction performance.

In contrast, using the pre-separator keeps the filter cartridge cleaner. In this case, the sucked-in dirt is collected entirely in Turbix's dust container (see images sect. B).



In-depth video

A Situazione filtro in aspirazione con e senza Turbix



Suction without Turbix



Suction with Turbix

B Raccolta delle polveri utilizzando il separatore Turbix



Central vacuum dust container



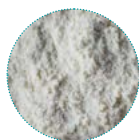
Powder container pre-separatorTurbix

Vacuum what you want. Even the finest dust

With Turbix, suction has no limits. it is possible to remove any type of material, even the finest and dustiest ones, such as the examples below.



Animal hair



Flours



Hair



Potting soil



Metal shavings



Plastic granulates



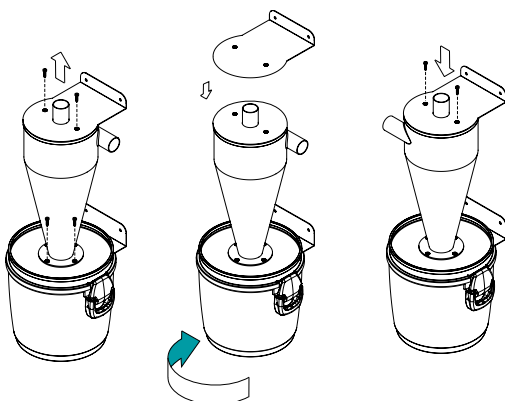
Grinding powders



Sawdust

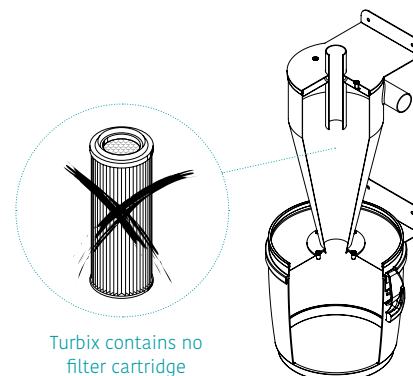
Reversibility of right/left connections

Filtration of air from sucked-in dust is by cyclonic separation. A guarantee of effectiveness but, above all, a simplification in maintenance.



Filter? What filter!

Filtration of air from sucked-in dust is by cyclonic separation. A guarantee of effectiveness but, above all, a simplification in maintenance.



Turbix contains no filter cartridge