


# Vacuum unit

## Tecno Style Mini

Area of use:  
domestic  
homes, apartments, small spaces

Max. surface to be cleaned: **150**

1 single user 

Pipe net Ø 50 mm



IP20



Tecno Style Mini is a concentrate of power for installations in small spaces.

Even if smaller suction power and comfort are unchanged. For those who do not want to compromise.

The Tecno Style Mini central vacuum cleaner is **designed specifically for domestic dust extraction.**

Available in a **single motor with Mini body for cleaning surfaces up to 150m<sup>2</sup>** for system used by a single user.

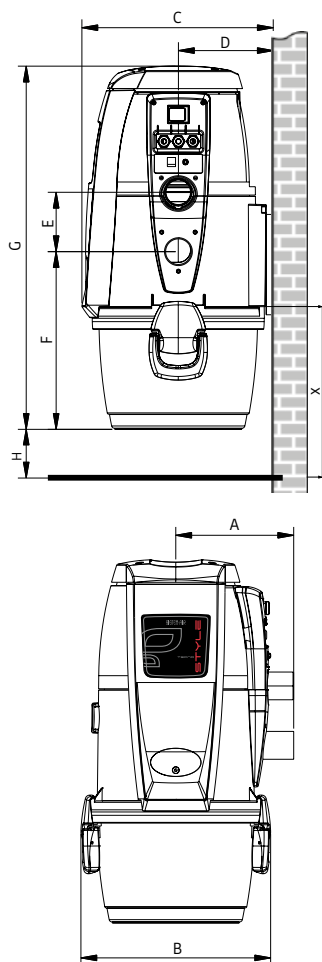
**TECNO STYLE**  
MINI


### Available motorisations

3107.1TER	Tecno Style Mini	up to 150 m <sup>2</sup>
-----------	------------------	--------------------------

# Table of measurements and technical data

Tecno Style Mini is available in a single motorisation, suitable for cleaning up to 150m<sup>2</sup> of surface area. The small footprint guarantees installation even in small spaces.



MODEL		Tecno Style Mini
ARTICLE		3107.1TER
Recommended aspirant outlets		4
Max. surface to be cleaned		150m <sup>2</sup>
Operators		1
<b>Micro-dust vent</b> 		<b>SI</b>
On-board inlet valve		NO
Air inlet/Air outlet	Ø mm	50
Degree of protection	IP	20
Power supply	V ac	220/240
Frequency	Hz	50/60
Motor power	kW	1,25
Absorption	A	5,0
Power supply sockets	V dc	12
Maximum air flow rate	m <sup>3</sup> /h	200
Max. depression	mbar	274
Filtration class		M
Filter surface area	cm <sup>2</sup>	3100
Dust container capacity	l	15
Air exhaust silencer (Ø 50 mm)		SI
Weight	kg	8,5
Measurement A	mm	210
Measurement B	mm	340
Measurement		345
Measurement D	mm	170
Measurement E	mm	108
Measurement F	mm	320
Measurement G	mm	650
Measurement H (min.)	mm	100
Measurement X (min.)	mm	350
Noise level lower than	dB(A)	70

**P.N.:** rated noise values, may vary depending on environment and type of installation.

## Certifications



Marking of conformity with European Community Directives.



Protection degree



Electrical insulation  
CLASS II

**TECNO STYLE MINI LINE - APPLIANCES COMPLYING WITH THE FOLLOWING STANDARDS:**

**RELEVANT EEC DIRECTIVES:**

- 2006/42/CE
- 2006/95/CE
- 2004/108/CE

**APPLIED HARMONISED STANDARDS:**

- EN 60335-1 : 2012
- EN 60335-2-2 : 2010
- EN 61000-3-2 : 2006 + A2 : 2009
- EN 61000-3-3 : 2008
- EN 55014-1 : 2006 + A1 : 2009
- EN 55014-2 : 1997 + A2 : 2008
- EN 62233 : 2008

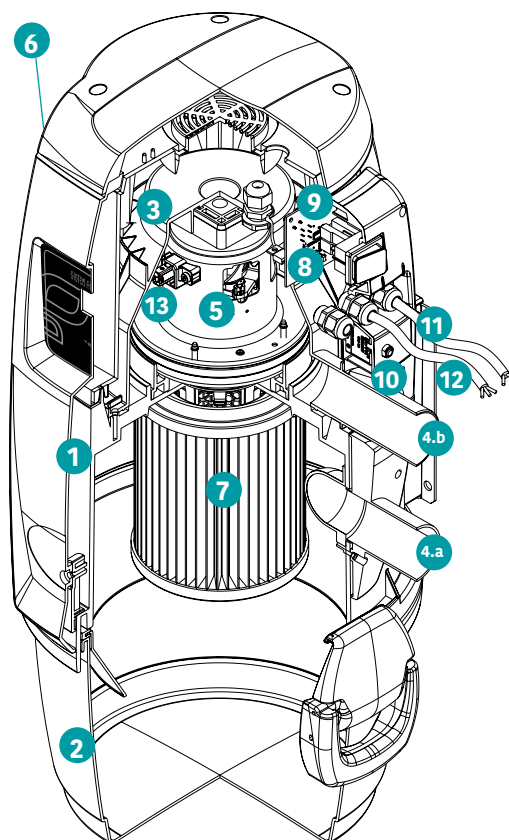
ROHS DIRECTIVE 2002/95

COMPLIANCE TO REACH DIRECTIVES

**N.B.:** strictly adhere to the regulations in force for installation

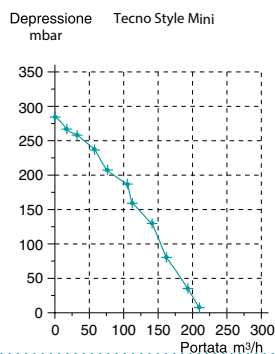
## Technical characteristics and section

1. Self-supporting cylindrical polypropylene and ABS shell
2. 15 l polypropylene dust container with PA6 nylon handles
3. Soundproof motor compartment
- 4.a Installation connection, dust inlet
- 4.b Exhaust connection, air outlet
5. Motor-impeller assembly, consisting of single-phase brush-type electric motor and impeller pack
6. Vacuum breaker valve
7. Class M filter cartridge
8. Electronic control board with double protection with disconnecting fuse holders on both primary and secondary circuits
9. Soft Start electronic board for gradual motor start-up
10. Safety temperature sensor protection requiring manual reset
11. 12 V dc inlet valve power supply
12. Power supply cable
13. Dust inlet

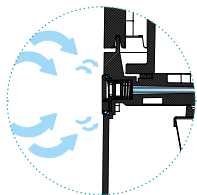


Tecno Style Mini includes the silencer and pipe connection sleeves and is compatible with all Sistem Air cleaning accessories.

### Performance Graphs

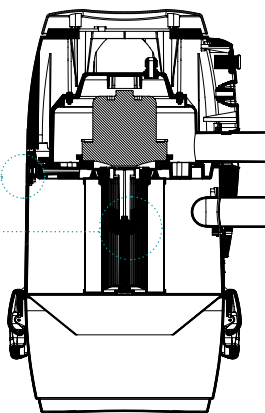


# Mini shell and vacuum breaker valve



The **vacuum breaker valve** opens automatically, supplying air to the engine when the inlet flow from the intake pipe is reduced or absent, anticipating the intervention of the thermal protection.

High-performance, washable compact filter in filtration class M.



Tecno Style Mini offers all the power and effectiveness of cyclonic dust separation. The body of the Tecno Style Mini central vacuum cleaner measures **only 65 cm in height by 34 cm in depth.**

The ideal choice for balconies, stairwells, hallways, cupboards...or in all small spaces.

## Basic installation principles

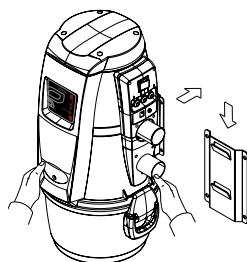
The following are the basics for the correct installation of the Tecno Style Mini central vacuum cleaner. The room chosen for the installation must be protected from the weather, humidity and excessive changes in temperature as well as away from heat sources.

In the case of a building on several levels, we recommend installation always on the lowest level.

### Fixing the central unit

Tecno Style Mini is supplied complete with a steel bracket for wall mounting.

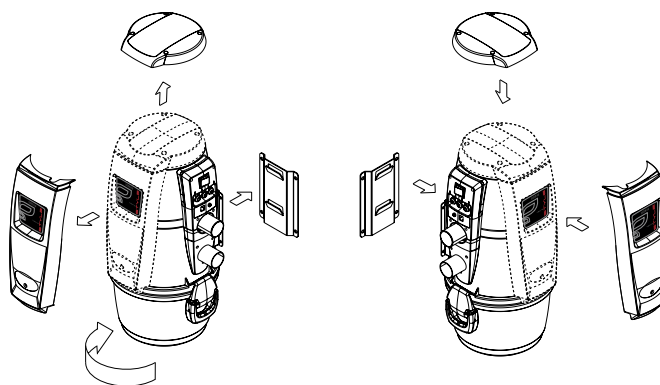
**P.N. it must be fixed so that the dust container is more than 10 cm from the ground**



Engagement on fixing bracket

### Reversibility of right/left connections

The Tecno Style Mini central vacuum cleaner is prepared for easy connection of the IN inlet IN and the OUT outlet OUT to the pipe network, either left or right .



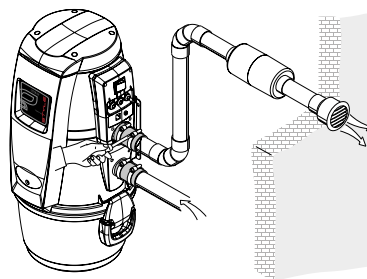
IN/OUT arranged on the right

IN/OUT arranged on the left

## Connection to the pipe network

Connection to the piping network is via the vibration-damping sleeves and clamps supplied.

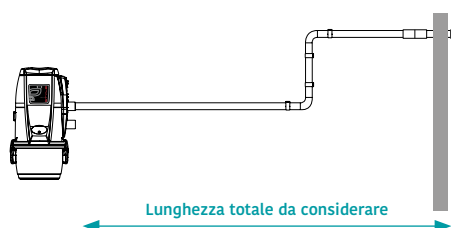
Tecno Style Mini is also supplied complete with a  $\varnothing$  50 mm air outlet silencer.



## Air outlet sizing

The air outlet must be sized to the length of development by strictly adhering to the indications given in the table, in order to create optimal conditions for air expulsion.

Air outlet line length	Diameter $\varnothing$
max 4 m	50 mm
oltre 4 m	63 mm

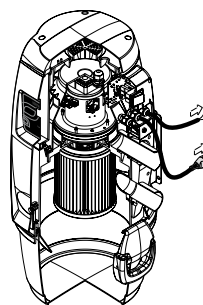


Use the same diameter along the entire length of the drain. Example:

3.5 m long outlet = all  $\varnothing$  50 mm  
8 m long outlet = all  $\varnothing$  63 mm

## Electrical connection

To make the correct mains connection of the Tecno Style Mini central vacuum cleaner, follow the instructions shown in the diagram below. For further details, please refer to the technical manual.



12V inlet valve power supply

Power supply AC 230V

## Spare parts table

The spare parts available for the Tecno Style Mini central vacuum cleaner are listed below.

Model	Article	Cartridge filter	Silencer venting	Bags universal	Electronic board	Motor
Tecno Style Mini	<b>3107.1TER</b>	1610.5	110001	1614.4	Contact customer care service	

## Sistem Air customer care contacts

Mail [info@sistemair.it](mailto:info@sistemair.it)

Tel +39 0381 650082

WhatsApp +39 340 4090146

**TECNO STYLE**  
MINI

DOWNLOAD  
FULL MANUAL

