

# Filter Self-cleaning system Autocleaner

Area of use:

domestico

large homes, semi-detached villas,

B&Bs, shops



Compatible central vacuum

cleaners: **Tecno Star Dual Power**



IP40



Autocleaner is the **automatic and continuous cleaning system for the filter**, which is separated from the central vacuum cleaner housing.

Maximum suction power is guaranteed by the efficiency of the filter. By continuously removing dust from the filter cartridge, Autocleaner **eliminates maintenance by the user and ensures high performance at all times.**

The system can also be retrofitted to central vacuum cleaners that have Autocleaner factory fitted.

Specifically, it can be installed on the Tecno Star Dual Power domestic central vacuum cleaner art. 3116.2TS, present in this catalogue, or on the Sistem Air Pro professional line, see dedicated catalogue.

## Autocleaner

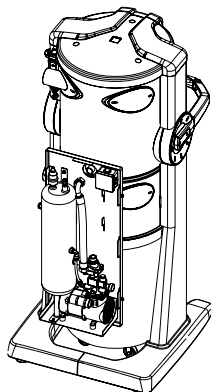
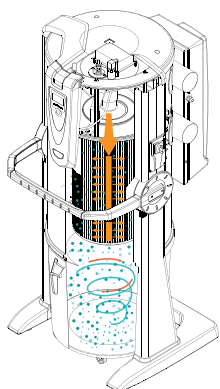


### Available models

3600.0U	Autocleaner	Self-cleaning filter
---------	-------------	----------------------

## Automatic filter cleaning

To ensure maximum effectiveness of the central vacuum system at all times, the Autocleaner system automatically cleans the central vacuum cleaner filter using compressed air technology.



### Forgetting the filter

It cleans the filter walls of deposited dust. The powerful compressed air jet passes through the filter in the opposite direction to the suction direction. Thus it will stay clean for longer.

### Central vacuum cleaner connection

The connection is made by simply connecting the compressed air hose to the central unit and inserting the multi-pin electrical connector into the appropriate inlet on the suction unit.

### Ready-to-use backpack

Autocleaner can be installed on the Tecno Star Dual Power domestic central vacuum cleaner art. 3116.2TS or on the Sistem Air Pro professional line, see dedicated catalogue.

Once the Autocleaner system has been installed, simply activate it via the central vacuum cleaner's display to set

- number of system cycles;
- definition of the operating time bands, according to the customisations requested by the user (e.g. exclusion of night hours);



Autocleaner setting via Tecno Star Dual Power central vacuum cleaner display



## CERTIFICATIONS

**CE** Marking of conformity with European Community Directives.

**IP 40** Protection degree IP

**⊥** Degree of electrical insulation  
CLASS I

**Autocleaner -APPLIANCE COMPLYING WITH THE FOLLOWING STANDARDS:**

RELEVANT EEC DIRECTIVES :

- 2006/42/CE
- 2006/95/CE
- 2004/108/CE

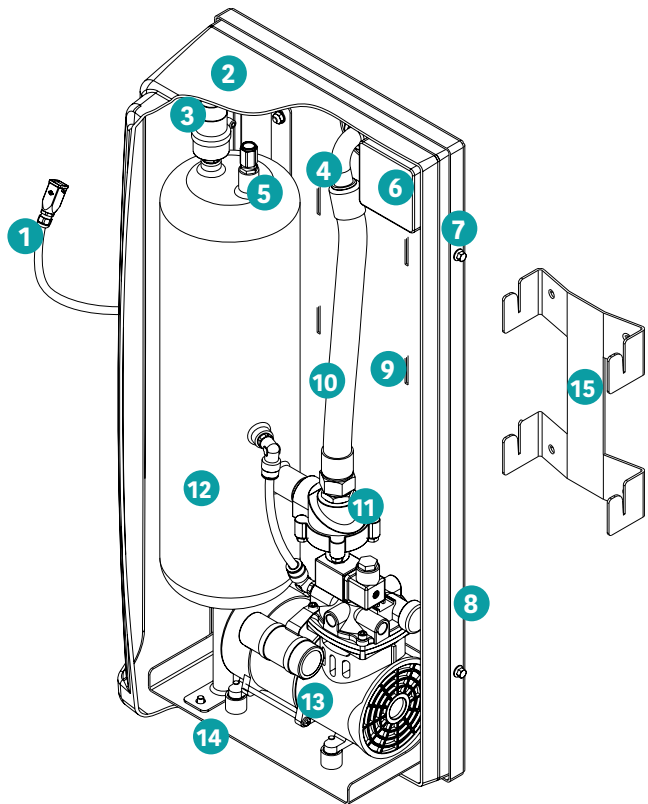
APPLIED HARMONIZED STANDARDS:

- EN 60335-2-34 : 2003

**N.B.:** strictly adhere to the regulations in force for installation

# Technical characteristics and section

1. Multi-pin connector
2. Thermoformed casing
3. Pressure switch
4. Compressed air outlet connection
5. Safety valve
6. Electrical connection box
7. Cover fixing screws
8. Support plate
9. Autocleaner bracket anchoring holes
10. Compressed air hose
11. Solenoid valve
12. Compressed air tanks
13. Compressor
14. Condensate drain with tap
15. Fixing bracket



Autocleaner includes the fixing bracket and accessories required for installation.

## MODEL Autocleaner

ARTICLE		3600.0U
Air outlet	Ø "	¾
Degree of protection	IP	40
Power supply	V ac	220/240
Frequency	Hz	50/60
Power	W	250
Absorption	A	1,3
Air pressure	bar	3,5
Cylinder capacity	l	6
Measurement A	mm	730
Measurement B	mm	328
Measurement C	mm	220

