



**AUTO Jet TURBIX**

The special Auto Jet Turbix separator is a unique product: the presence of the cyclonic cone allows it to have an extraordinary capacity for dust separation, preventing the vacuum units' filter clogging, while the automatic discharge device makes it suitable for the suction of large volumes of material without the continuous emptying of the dust container. The presence of nozzles that discharge compressed air into the collection cylinder represent a further advantage in the automation of the discharge, making the separator suitable for use even in the case of suction of very light and bulky materials.

**SELECTION TABLE**

MODEL	ARTICLE	Connections IN/ OUT Ø mm	Discharge Ø mm	Dust container capacity (l)
Automatic discharge separatorS	<b>7010.3</b>	80	153	76

**SYNTHETIC CHARACTERISTICS****CE marking****IP protection degree****Isolation Class 1****TECHNICAL FEATURES**

Automatic discharge separator is designed and produced in conformity with all current regulations and European directives, whilst taking into account functionality, power and ease of use. Main technical characteristics can be listed as follows:

Metal frame painted with epoxy powder

- cylindrical body in AISI 304 stainless steel
- pneumatic linear actuator adjustable with the control panel
- possibility of connecting 8 nozzles that can be fed with compressed air
- adjustable operation

# AUTOMATIC DISCHARGE SEPARATORS

## ■ Main features of the product

### 1 - Opening guaranteed

The pneumatic actuator allows the **opening of the discharge door even in the presence of strong depressions** inside the separator, in order to allow the discharge of the material in any situation.



### 2 - Easy unloading with the 8 compressed air jets

To facilitate the discharge of any type of sucked material, even the lightest and most voluminous, the separator is equipped with **8 nozzles** that allow the discharge of compressed air when the lower door is opened.



### Great air flow

The compressed air flow is guaranteed by the 3/4" connection, where an external pneumatic supply line will be connected.

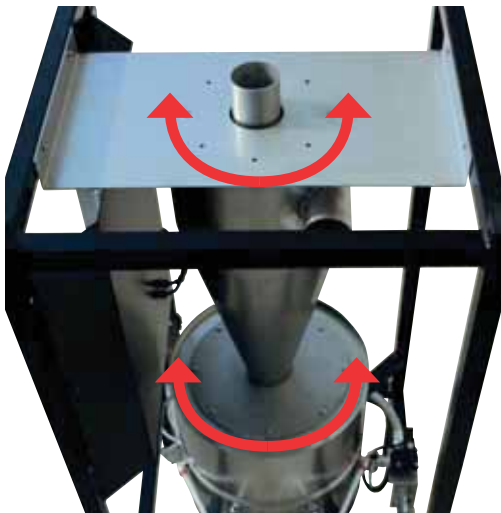
### 3 - CYCLONIC SEPARATION without filter

The shape of the cone allows the cyclonic separation of the sucked material to be carried out, ensuring a **great reduction of dust**, even the fine ones, without the use of any filter. **Maintenance of the filter inside the suction unit will also be considerably reduced.**



### 4 - Easy to connect

Just unscrewing the fixing screws of the cone **the inlet of the sucked material can rotate 360 °**, with predefined progressive angles of 45 ° each. The air outlet can also be oriented at 360 °.



### 5 - Entirely made of stainless steel

The separator with automatic discharge is made of **stainless steel**: this material makes it suitable for the suction of liquids, but also of hot particles. By appropriately adjusting the timing of the discharge, in case of suction of liquid and solid materials during the same suction cycle, it is possible to avoid the formation of wet sediments which can solidify, making the disposal difficult.



# AUTOMATIC DISCHARGE SEPARATORS

## 6 - Easily programmable

Thanks to the **three potentiometers** on the control panel it is possible to adjust the following operating parameters:

- **suction time** (to avoid overfilling of the container);
- **door opening time** (to be set according to the specific weight and consistency of the vacuumed material);
- **repetition of the jets of compressed air** which act in the discharge phase.

Using the **TEST** button you can immediately test each of these three settings, in order to find the optimal setting, depending on the quantity and type of material sucked.

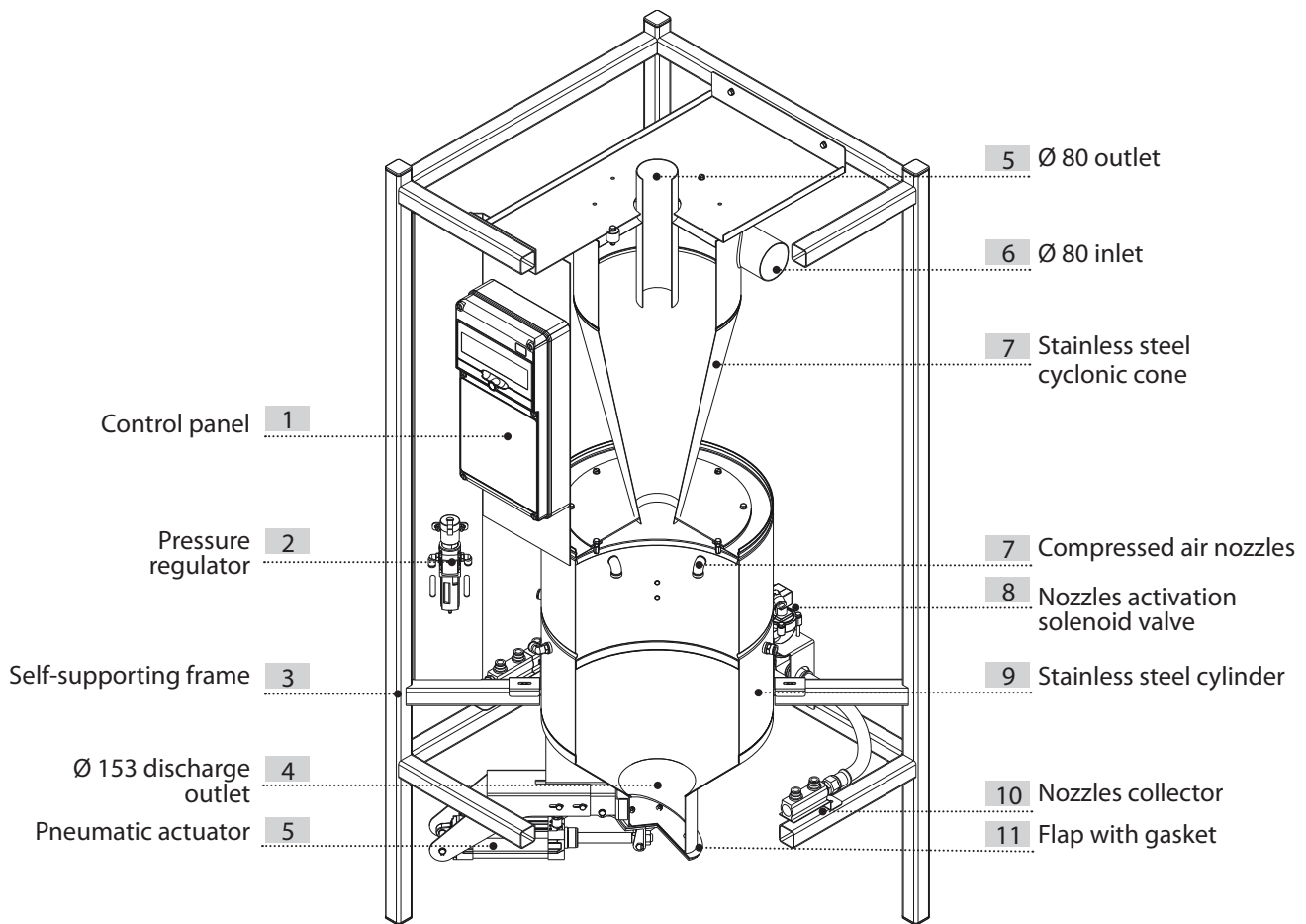


### Attention

In cases where the discharge of the material must occur simultaneously with the suction (because there are other sections of the system that must be used while the separator is discharging) or to avoid the stop the engine during the discharge, the Turbix Autojet separator must be combined with a sleeve valve with pneumatic supply, which must be placed on the upper air outlet, so that the command from the user or from the separator itself will close the suction line, preventing that the material coming out of the lower door will be partially sucked back into the separator.



■ Auto Jet Turbix SECTION

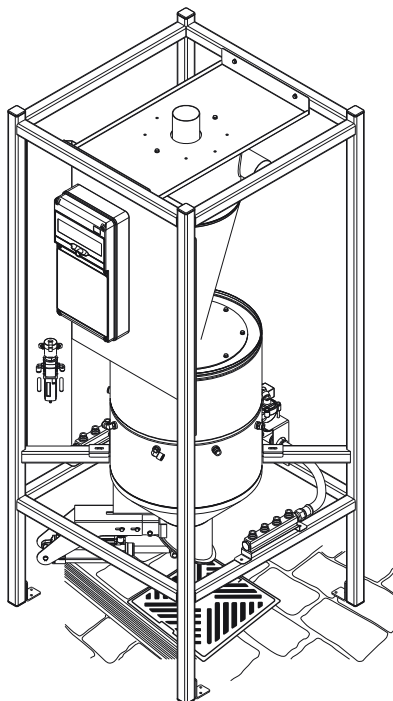


■ ADAPTABLE TO ALL SITUATIONS OF USE

**Liquids**

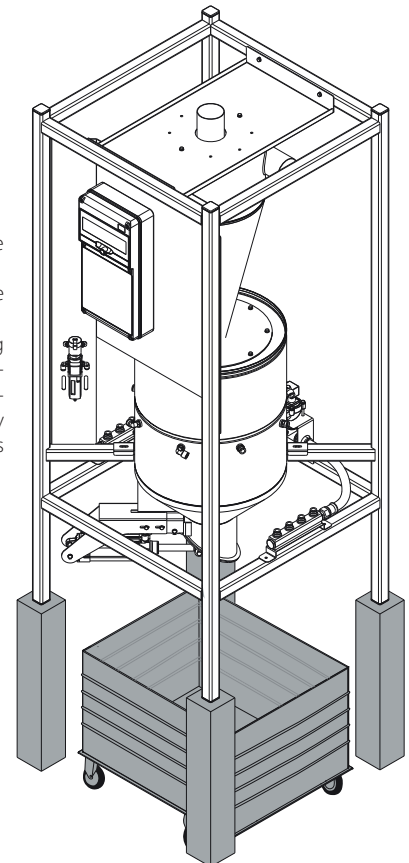
The Auto Jet Turbix separator can be installed to allow the discharge of the vacuumed liquids where it is best suited to the production cycles:

- in drainage wells
- in special tanks
- in cisterns.



**Solid residues / powders**

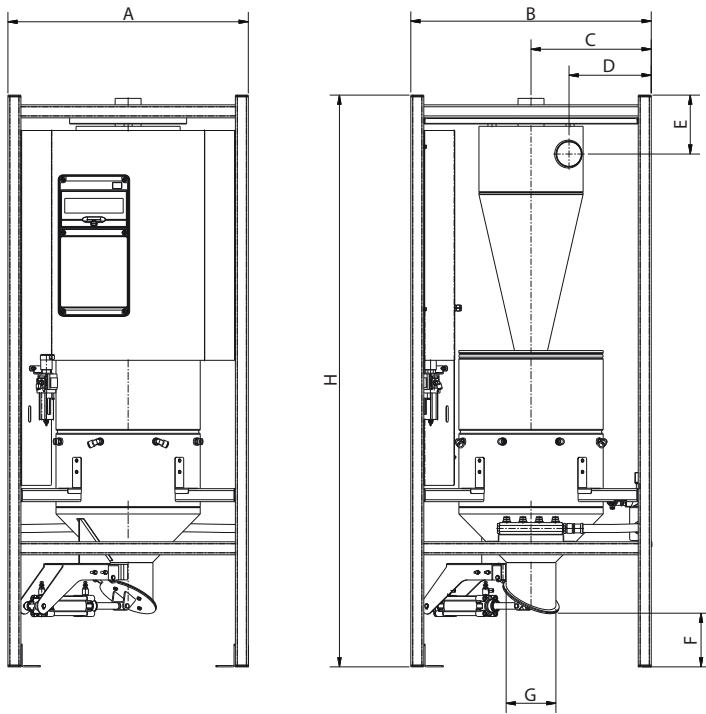
The self-supporting frame can be raised or fixed to other structures to allow the positioning of the separator above trolleys, Big Bags or other collection systems. In this way, the handling and eventual recovery of the vacuumed materials is facilitated



# AUTOMATIC DISCHARGE SEPARATORS

## MEASUREMENTS AND TECHNICAL DATA

The choice of the model must be made according to the number of simultaneous users which will use the line connected to the separator, the diameter of the connection pipe, the number of simultaneous users supported by the suction unit.



Automatic discharge separator		
Model		Auto Jet TURBIX
Article		7010.3
Suction management board		YES
Protection degree	IP	44
Power supply	V ac	230
Absorption	A	1,5
Dust container capacity	l	76
Pneumatic actuator pression	Bar	6
Air inlet	G	3/4
Nozzles pression		*
Weight	kg	105
Measurement A	mm	740
Measurement B	mm	740
Measurement C	mm	370
Measurement D	mm	253
Measurement E	mm	182
Measurement F	mm	165
Measurement G	mm	153
Measurement H	mm	1760

\* Same maximum operating pressure of the system

## APPROVALS

 CE marking

 IP 44 IP protection degree

 Electrical insulation CLASS I

Automatic discharge separator - in compliance with the following regulations:

EC DIRECTIVES:  
 - 2006/42/CE  
 - 2006/95/CE  
 - 2004/108/CE

ROHS DIRECTIVE 2002/95

Compliance to REACH Directives.

N.B. installation must be carried out in strict compliance with current regulations.

## INSTALLATION HINTS

The separator with automatic discharge must be connected at the end of the line coming from the inlets, before the suction unit (or the main dust separator). The connection can be made either at the end of a group of inlets, to dispose the vacuumed material only for a specific group of inlets, or just before the suction unit (or main separator), in order to discharge all the vacuumed material.

## REVERSIBLE CONNECTIONS

The separator does not require special anchoring. However, it is important to check that the area for installation has the following minimum requirements, in order to be correctly and securely positioned:

- a perfectly flat, horizontal and solid surface, without cracks.
- a vibration free surface.

Furthermore it is essential that there are no disconnections that could make the unit instable.

Connections to pipe network and to air exhaust can be made on the left or on the right side of the vacuum unit.

**N.B. The separator must be fixed at a height from the ground that allows the material to be discharged into the prepared container, considering the size of the open door.**

## PIPE NETWORK CONNECTION

Autojet Turbix separators are supplied with connecting anti-vibration sleeves and clamps for the pipe network connection.

The separator must be connected to the pipe network before the vacuum unit, so that it can intercept the dust arriving from the vacuum inlets, before it reaches the vacuum unit.

